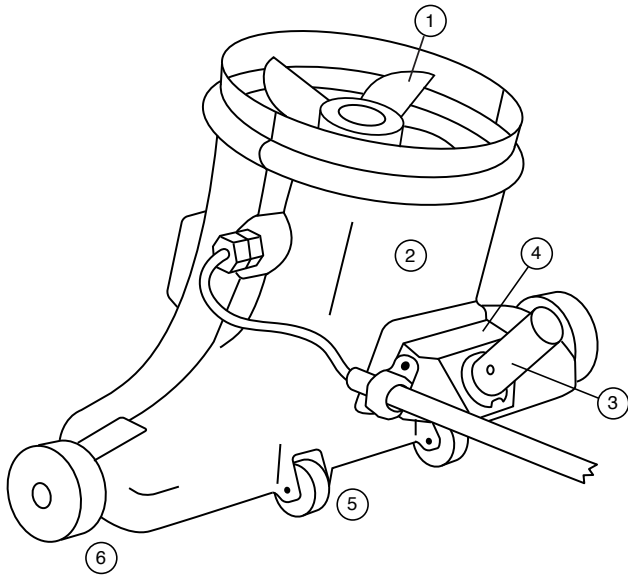


HAMMER·HEAD™

PATENTED PERFORMANCE

2008 SERVICE UNIT PARTS



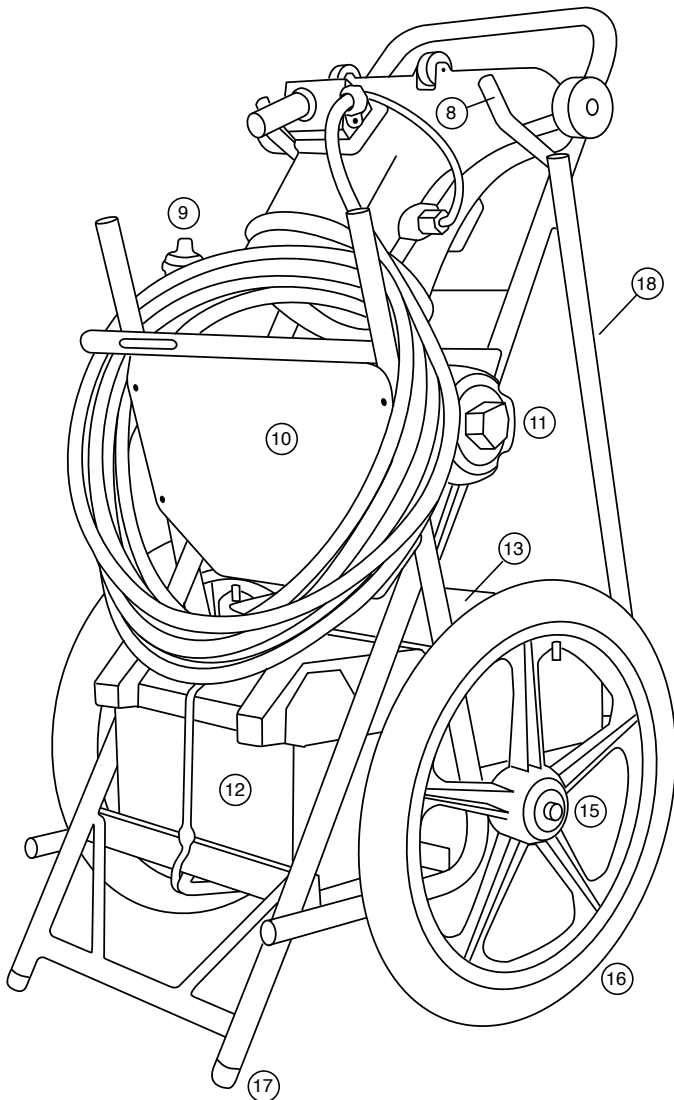
HAMMERHEAD SERVICE-21 VACUUM HEAD (FORMERLY 9130 SERVICE UNIT)

- HH1305 40FT MOTOR/CORD (NO PROP)
- ① HH1000 4 BLADE PROP
- HH1002 2 BLADE PROP
- HH1010 PROP PIN
- HH1020 PROP NUT
- ② HH1030 BK 21" SERVICE HEAD HALF (POLE SIDE)
- ③ HH1030 FR 21" SERVICE HEAD HALF (DECAL SIDE)
- ④ HH1225 SS POLE SWIVEL (no block)
- HH1230 POLE YOKE ASSEMBLY COMPLETE
- ⑤ HH1155 SMALL DRAG WHEEL (w/hardware)
- ⑥ HH1150 LARGE WHEEL (w/bushing)
- HH1195 BRONZE BUSHING (for large wheels)

HH1310 21" SERVICE HEAD COMPLETE

Includes motor, prop, cord, 40FT of floating cord, 21" head, debris bag, and all hardware.

QUESTIONS ABOUT PARTS, REPAIRS,
OR CUSTOM ORDERS? CALL US!



HAMMERHEAD SERVICE-21 VACUUM UNIT (FORMERLY 9130 SERVICE UNIT)

(MOUNT INCLUDED BUT NOT SHOWN)

- ⑧ HH1275 HEAD BRACKET PAD
- ⑨ HH5057 SOAP BOTTLE
- HH1120 SOAP BOTTLE CAGE
- ⑩ HH1085 V-TRAY SET (FRONT AND BACK)
- ⑪ HH1060 PERKO ON/OFF SWITCH - PREWIRED
- HH1061 NEW STYLE MINI SWITCH - PREWIRED
- HH1080 FRAME PLUG SET (6)
- HH1125 24" BUNGEE CORD (TO SECURE HEAD)
- HH1130 18" BUNGEE CORD
- ⑫ HH5056 BATTERY BOX
- HH5055 ACCESSORY BOX - PLASTIC
- ⑬ HH5055B ACCESSORY BOX - ROTO
- HH1052 SS AXLE
- HH1052A WHEEL BEARING (each, two per wheel req'd)
- HH1050 20" WHEEL COMPLETE W/SOLID TIRE
- ⑮ HH1050A REPLACEMENT 20" INNER TUBE
- ⑮ HH1050B REPLACEMENT 20" BLUE TIRE
- ⑮ HH1251 SS AXLE SHAFT COLLAR
- ⑰ HH1075 CART LEG SKID (EACH)
- ⑱ HH1070 SERVICE CART FRAME ONLY (comes with axle, cart leg skids, head bracket pads and frame plugs)

HAMMERHEAD SERVICE-21 VACUUM UNIT (FORMERLY 9130 SERVICE UNIT)

Includes cart, 21" head, 40' cord, motor, prop, trailer mount with hardware, and 2 debris bags. (does not include battery, battery charger, or pole)